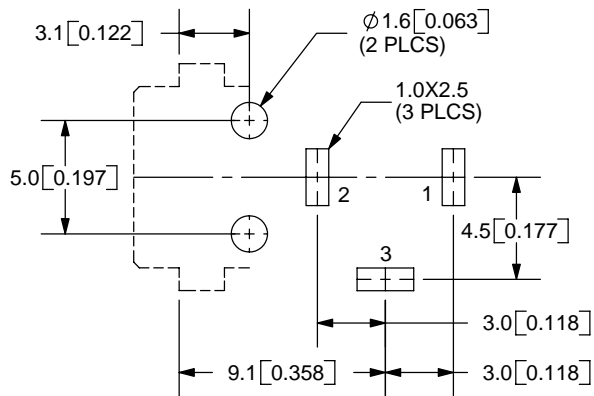
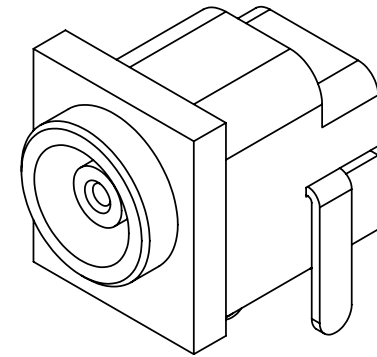
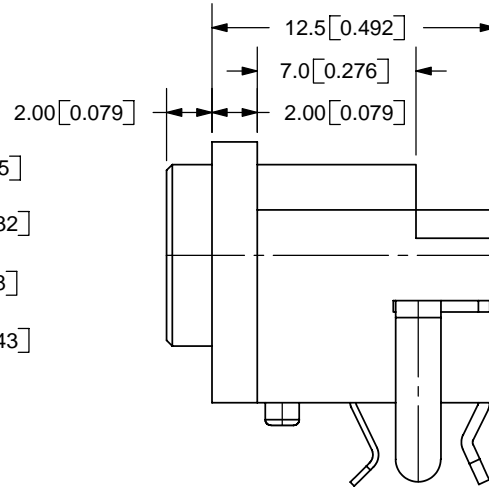
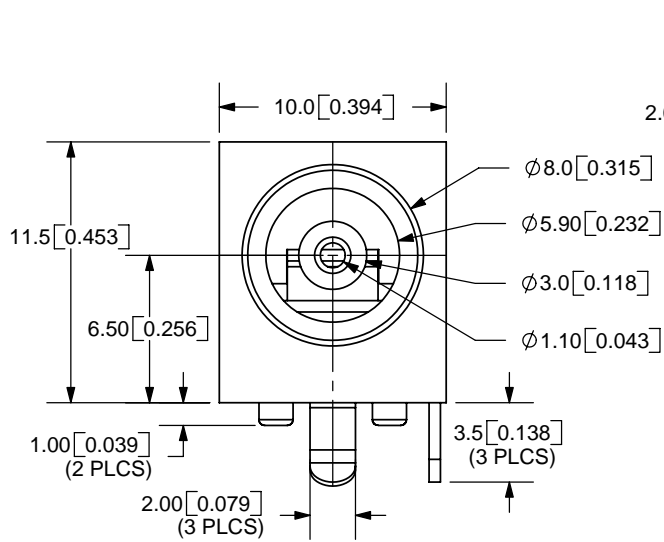
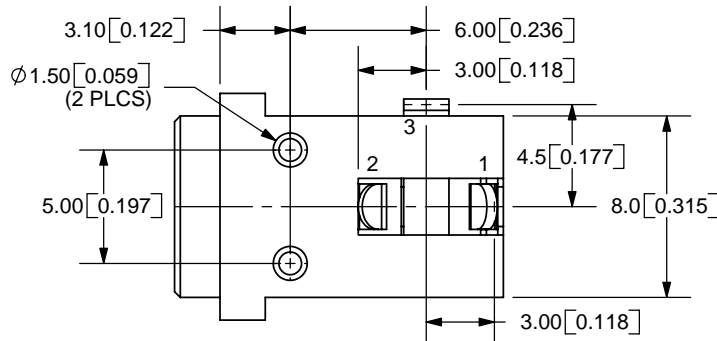


REV.	DESCRIPTION	DATE
A	NEW DRAWING	7/19/2006



PCB LAYOUT  
TOP VIEW



TOLERANCE:  
X.X ±0.2mm  
X.XX ±0.1mm  
X.XXX ±0.05mm



20050 SW 112th Ave.  
Tualatin, OR 97062  
Phone: 503-643-4899  
800-275-4899  
Fax: 503-372-1266  
Website: www.cui.com

**SPECIFICATIONS:**  
RATING: 24V DC @ 3A  
CONTACT RESISTANCE: 30m OHMS MAX  
INSULATION RESISTANCE: 50M OHMS MIN: 500V DC  
VOLTAGE WITHSTAND: 500V AC R.M.S. FOR 1 MINUTE  
LIFE: 5,000 CYCLES

MODEL NO.	PJ-019
SCHEMATIC	

	MATERIAL	PLATING	TITLE: DC POWER SOCKET	REV: A
TERMINAL 1	Brass	Tin	PART NO. PJ-019	UNITS: MM [INCHES]
TERMINAL 2	Copper Alloy	Tin		
TERMINAL 3	Brass	Tin	DRAWN BY: ZRJ	APPROVED BY:
HOUSING	PBT			

PC FILE NAME:  
PJ-019

COPYRIGHT 2006 BY CUI INC.